

**New!**

# KP6 series

CANbus keypad with 6 customizable keys

*Distinctive features and specifications*



- CANbus version
- Up to 3 dimmable LED indicators per key + backlit legends
- 1 million cycles
- Snap-in mounting
- Flush to panel

## ENVIRONMENTAL SPECIFICATIONS

- Front panel component sealing : IP65 according to IEC 60529
- Shock resistance : 3 sinusoidal impulse 300m/s<sup>2</sup> 18ms on 3 axis according to IEC 60068-2-27
- Vibrations : 8 h ; 10-350 Hz - power spectral density from 0,005 to 0,002 G<sup>2</sup>/Hz 10-500 Hz - 5 g according to IEC 60068-2-64 and IEC 60068-2-6
- Acceleration : 20m/s<sup>2</sup> 10 Hz-2000 Hz according to IEC 60068-2-6
- Salt spray : IEC 68-2-11 test Ka 35°C 96 h
- Operating temperature : -30°C / +70°C
- Storage temperature : -40°C / +85°C
- UV resistance : 750h NF-EN-ISO4892-2 method A cycle 1
- **High CAN option** : compliant with vehicle European Standard for electromagnetic compatibility (ESD/EMC/EMI) - E/ECE/324/Add.9/rev.5 E1 Marking

## MATERIALS

- Keypad : silicone
- Case : PA66

## EXTRA FEATURES AVAILABLE ON REQUEST

- CANopen
- Special illumination
- Phantom marking
- Hard caps
- Special key colors
- Extra protective coating
- Full IP65 panel sealing

## ELECTRICAL SPECIFICATIONS

- CANbus : J1939
- Nominal supply voltage : 12V-24VDC
- Output voltage : 0,5V - 4,5V
- Typical current consumption : 10mA with no LED ON and 200mA with all LEDs ON
- Outputs : TYCO MQS 6 pin connector (ref. 953363-1)
- **High CAN option** :  
Operating supply voltage with voltage regulation : 9V-36VDC  
Max. overvoltage with voltage regulation : 43VDC

## E1 MARKING (PENDING)



For High CAN option

## MECHANICAL SPECIFICATIONS

- Life : 1 million cycles per key
- Operating force : 7 N ± 2 N
- Travel : 0,7 mm ± 0,2 mm
- Panel thickness : 1,75 mm ± 0,25 mm

**Dimensions** : First dimensions are in mm while inches are shown as bracketed numbers.

The company reserves the right to change specifications without notice.

# KP6 series

**New!**

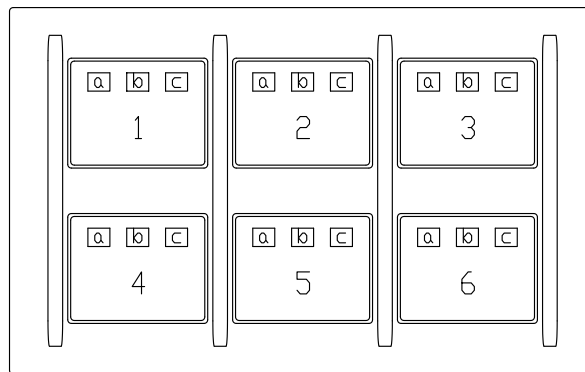
CANbus keypad with 6 customizable keys

Overview

<b>Series</b> KP6 6-key keypad	<b>Key style</b> E Elastomeric	<b>Output</b> 1 6-pin MQS connector	<b>Sealing</b> N Standard	<b>Communication protocol</b> J CANbus J1939	<b>Electronic configuration</b> 1 Basic CAN 3 High CAN	<b>Legend backlighting</b> X No W White

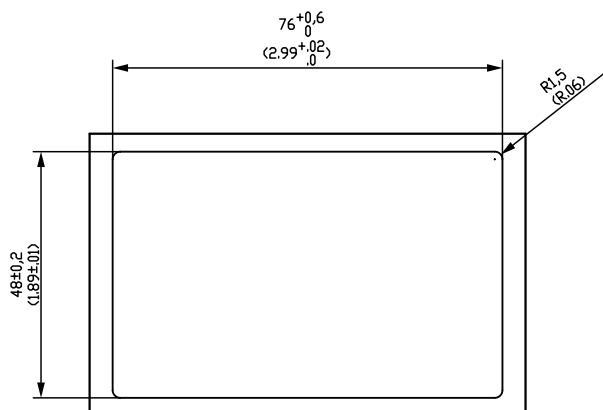
<b>Marking orientation</b> N North O West	<b>Indicator color</b> X No LED W White B Blue R Red G Green	<b>Key 1</b> X No LED 1 LED at center 3 3 LEDs	<b>Key 2</b> X No LED 1 LED at center 3 3 LEDs	<b>Key 3</b> X No LED 1 LED at center 3 3 LEDs	<b>Key 4</b> X No LED 1 LED at center 3 3 LEDs	<b>Key 5</b> X No LED 1 LED at center 3 3 LEDs	<b>Key 6</b> X No LED 1 LED at center 3 3 LEDs

## KEY MATRIX



Symbols to be specified by customer.

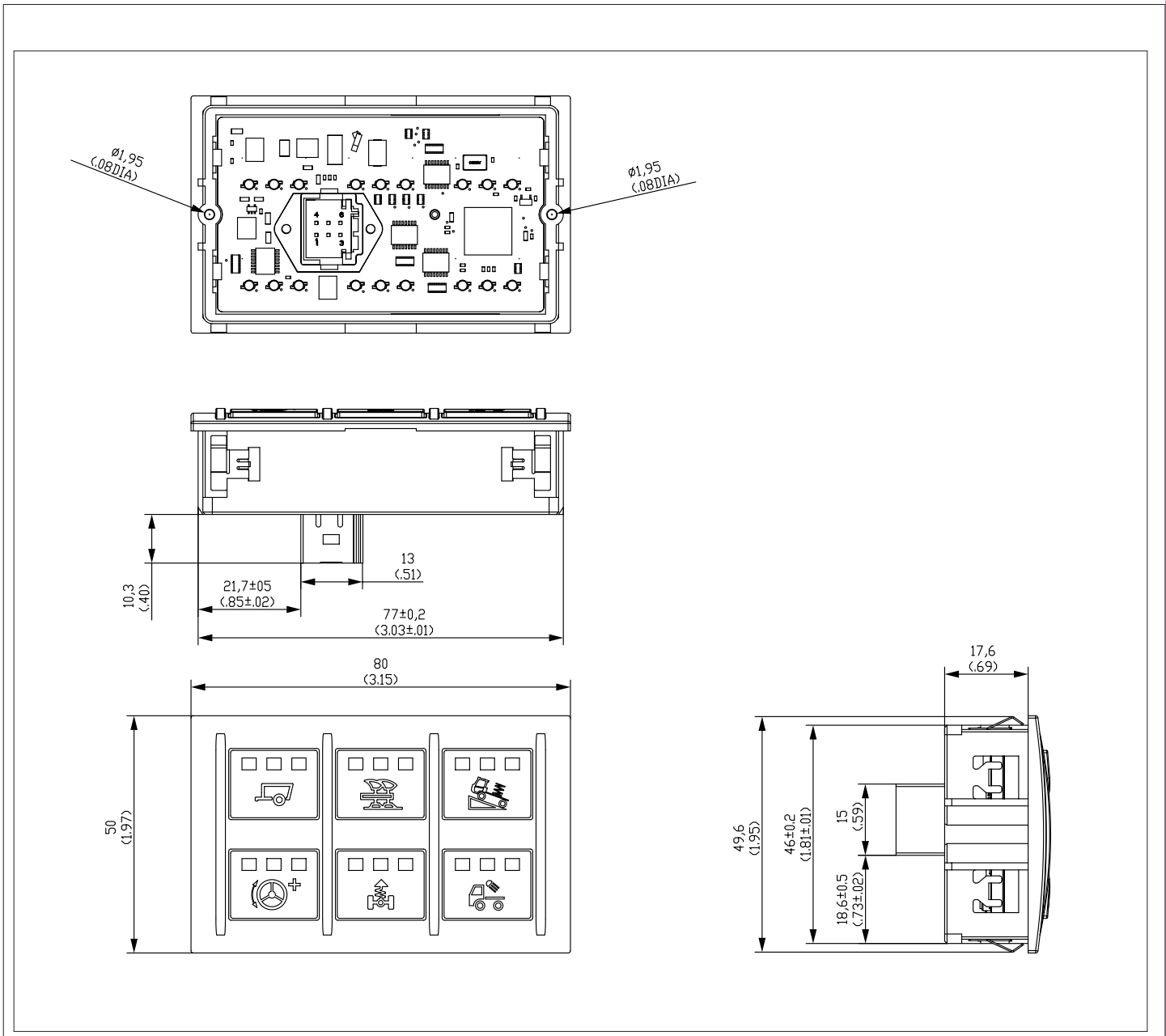
## PANEL CUT-OUT



**New!**

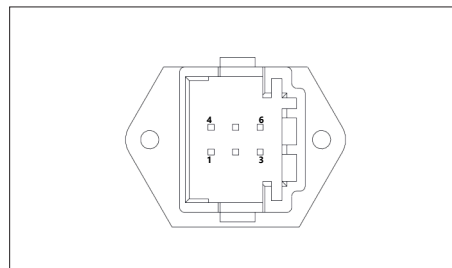
# KP6 series

CANbus keypad with 6 customizable keys



## CONNECTIONS

Pin	Function
1	High CAN
2	Low CAN
3	Ground
4	Ignition On/Switching power
5	Constant power / VBAT
6	Not connected



KP6CAN1612-A-DEF